

features

- content: C-mount adapter, sealings, screws, retaining bracket, spacers, IR Cut filter
- sealing depends on camera model

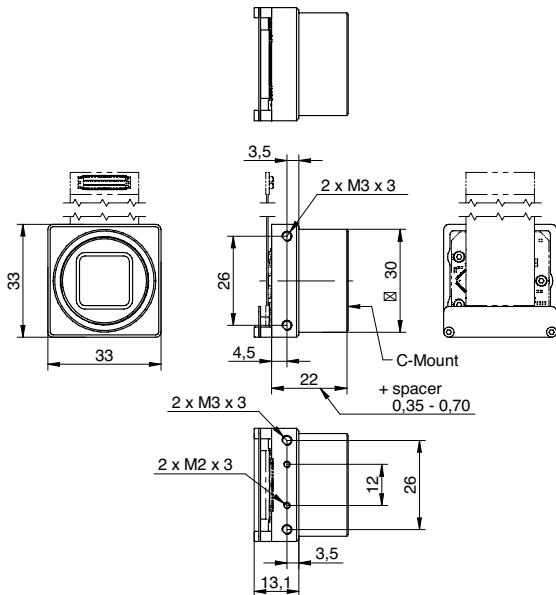


mechanical data

material aluminium

weight ≤ 31 g

dimension drawing



schematic diagram

